

# Table of contents

---

<b>I. INITIAL OVERVIEW .....</b>	<b>2</b>	<b>VIII. ASSEMBLY AND DISASSEMBLY .....</b>	<b>10</b>
<b>II. EXPLODED VIEW and PARTS IDENTIFICATION .....</b>	<b>3</b>	<b>A. DISASSEMBLY .....</b>	<b>10</b>
<b>III. SAFETY CONTROLS .....</b>	<b>4</b>	For Pistols with One-Piece Extended Guide Rod Recoil System	
The Safety Lock		For Pistols with Two-Piece Extended Guide Rod/Extended Stabilizer Recoil System	
The Grip Safety		<b>B. ASSEMBLY .....</b>	<b>12</b>
The Hammer Half-Cock Notch		For Pistols with One Piece Extended Guide Rod/ Extended Stabilizer Recoil System	
<b>IV. SAFETY WARNINGS.....</b>	<b>5</b>	For Pistols with Two Piece Extended Guide Rod/Extended Stabilizer Recoil System	
A. TEN FUNDAMENTAL RULES OF SAFETY IN FIREARM HANDLING		<b>IX. MISCELLANEOUS .....</b>	<b>14</b>
B. EYE AND EAR PROTECTION		A. WARRANTY	
C. THE SAFETY MECHANISM		B. REPLACEMENT PARTS	
D. CARRYING A SEMI-AUTOMATIC PISTOL		C. SERVICE POLICY	
<b>V. SAFETY INSTRUCTIONS.....</b>	<b>6</b>	D. RETURNING GUN FOR SERVICE	
<b>VI. OPERATION .....</b>	<b>8</b>	E. NO LIABILITY	
TO LOAD AMMUNITION		F. WARNING	
FIRING WITH LIVE AMMUNITION		G. LEAD and OTHER TOXIC SUBSTANCES WARNING	
LOADING AMMO INTO CHAMBER			
UNLOADING LIVE AMMUNITION			
TRANSPORTING AND STORING YOUR GUN			
SELECTING AMMUNITION			
<b>VII. GUN CARE and MAINTENANCE .....</b>	<b>10</b>		

# I. INITIAL OVERVIEW

---

CONGRATULATIONS! You are now a proud owner of a fine firearm; an SPS Pistol; the Spanish brand based on the 1911 system, made of the highest quality material and craftsmanship, manufactured by Metro Arms Corporation in Manila (Philippines).

For your protection and for the protection of others always use extreme care in handling this or any other firearm.

## BRIEF BACKGROUND ABOUT THE MODEL 1911 PISTOL

The Colt Model 1911 was the invention of the renowned firearms engineer, John Moses Browning who is the father of several modern firearms invention.

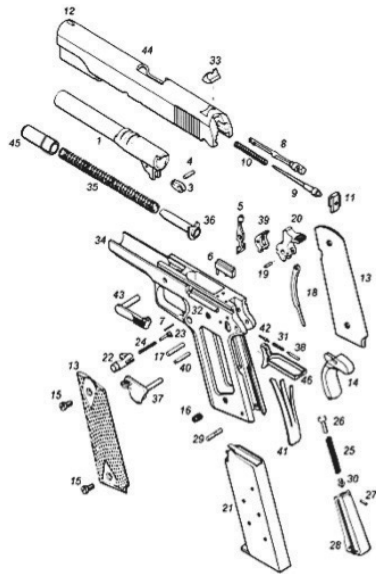
The Model 1911 pistol was designed to meet the requirement of the United States Army at the turn of the 20th century to replace its trusty .38 caliber Revolver with a pistol that has more stopping power. An Ordnance Board headed by Col. John T. Thompson (the inventor of the Thompson sub-machinegun) and Col. Louis A. La Garde had reached the conclusion that the army needed a .45 caliber cartridge to provide adequate stopping power. At that time, Browning was already working on an autoloader pistol designed around a cartridge similar to a .38 Super (dimension-wise). When the Army announced its interest in a new handgun, Browning re-engineered his handgun to accommodate a .45" diameter cartridge of his own design using a 230 grain Full Metal Jacket bullet and submitted the pistol to the Army for test and evaluation. After rigorous testing, Browning's pistol passed the whole test series with flying colors.

On 29 March 1911, the Browning-designed .45 caliber Automatic Pistol was selected and approved as the official sidearm of the Armed Forces of the United States of America and was named Model 1911. The Model 1911 pistol has seen countless combat actions dating as far back as the U.S. Mexican War, World War I, World War II, the Korean War and the Vietnam War – an attestation to a truly reliable engineering masterpiece. Today, after more than a century, it has remained one of the most popular defense and sporting pistol

## II. EXPLODED VIEW and PARTS IDENTIFICATION

---

- |                                   |                                    |
|-----------------------------------|------------------------------------|
| 1 Barrel                          | 25 Main Spring                     |
| 3 Barrel Link                     | 26 Mainspring Cap                  |
| 4 Barrel Link Pin                 | 27 Mainspring Cap Pin              |
| 5 Disconnect                      | 28 Mainspring Housing              |
| 6 Ejector                         | 29 Mainspring Housing Pin          |
| 7 Ejector Pin                     | 30 Mainspring Housing Pin Retainer |
| 8 Extractor                       | 31 Plunger Spring                  |
| 9 Firing Pin                      | 32 Plunger Tube                    |
| 10 Firing Pin Spring              | 33 Rear Sight                      |
| 11 Firing Pin Stop                | 34 Receiver (Frame)                |
| 12 Front Sight                    | 35 Recoil Spring                   |
| 13 Grip (L&R)                     | 36 Recoil Spring Guide             |
| 14 Grip Safety                    | 37 Safety Lock (Thumb Safety),     |
| 15 Grip Screw (4-pcs/set)         | 38 Safety Plunger                  |
| 16 Grip Screw Bushing (4-pcs/set) | 39 Sear                            |
| 17 Hammer Pin                     | 40 Sear Pin                        |
| 18 Hammer Strut                   | 41 Sear Spring                     |
| 19 Hammer Strut Pin               | 42 Slide Stop Plunger              |
| 20 Hammer                         | 43 Slide Stop, Std.                |
| 21 Magazine Assy.                 | 44 Slide                           |
| 22 Magazine Catch                 | 45 Spring Plug                     |
| 23 Magazine Catch Lock            | 46 Trigger Assy                    |
| 24 Magazine Catch Spring          |                                    |



### III. SAFETY CONTROLS

---

Our Pistols - type automatic pistol incorporates several positive safety devices which, if properly employed and engaged, will avoid injury to persons, damage to property and accidental firing.

#### The Safety Lock

The Safety Lock, sometimes referred to as the Thumb Safety, is located on the left side of the pistol just below the back of the slide. In some models with ambidextrous safety, it will be located on both the left and the right side of the pistol just below the back of the slide. With hammer fully cocked and the Safety Lock fully engaged by flipping it up with your thumb, an internal cam surface engages and/or blocks the sear to prevent the hammer to break free and fall forward when the trigger is pulled. This safety device can only be applied when the slide is in battery position and the hammer fully cocked. To apply the Safety Lock, point the pistol in a safe direction with your finger off the trigger, pull the slide fully to the rear and allow it to return sharply forward, leaving the hammer in a fully-cocked position. Flip up the Safety Lock until it fully engages the safety lock notch on the slide.

#### The Grip Safety

The Grip Safety is located on the upper rear part of the receiver. The Grip Safety is automatically applied by spring action to prevent rearward travel of trigger unless the pistol is gripped firmly. The Grip Safety has a trigger block extension which blocks the trigger bow to prevent its rearward movement even when the trigger is squeezed. When the pistol is positively gripped by

the shooter's hand, the trigger block extension of the Grip Safety is rotated out of contact with the trigger bow allowing trigger rearward movement.

#### The Hammer Half-Cock Notch

The Hammer Half-Cock Notch is an automatically operating fail-safe device which will engage the sear in the unlikely event of primary sear notch failure. This will prevent the hammer from falling fully forward unintentionally and ensure against uncontrolled automatic fire. It also prevents the hammer from striking the firing pin should the hand slip from the slide while cocking the pistol, provided the hammer is rotated past the Half-Cock Notch. The Half-Cock Notch is not meant to be engaged by hand.

**CAUTION:** NEVER PLACE OR ALLOW THE HAMMER TO REMAIN IN THE HALF-COCK NOTCH. THIS IS NOT A SAFE CARRYING POSITION. ANY EFFORT TO ENGAGE THE HAMMER IN THE HALF-COCK NOTCH POSITION MAY RESULT IN THE HAMMER PERCHING ON THE LIP OF THE HALF-COCK NOTCH. THIS IS EXTREMELY HAZARDOUS AND DANGEROUS. IF THE HAMMER IS IN THIS CONDITION, IT COULD FALL FORWARD AND DISCHARGE A LIVE CARTRIDGE OF THE PISTOL THEREBY RISKING INJURY, DEATH OR DAMAGE TO PROPERTY.

## IV. SAFETY WARNINGS

---

### **A. TEN FUNDAMENTAL RULES OF SAFETY IN FIREARM**

#### **HANDLING**

1. ALWAYS treat every gun as if it were loaded.
2. ALWAYS make sure that the barrel is clear of any obstruction.
3. ALWAYS be sure of your backstop, what lies beyond it and the safety of bystanders before shooting.
4. ALWAYS use clean, dry, original factory-made ammunition of the proper type and caliber for your gun.
5. ALWAYS wear ear protection and shooting glasses when shooting.
6. ALWAYS handle your gun so that you can control the direction of the muzzle if you fall or stumble.
7. ALWAYS leave the safety lock on or engaged until you are ready to fire.
8. NEVER leave an unattended gun loaded. Guns and ammunition should be stored separately, locked if possible and beyond the reach of children and careless adults.
9. NEVER allow your firearm to be used by anyone who has not read this Instruction Manual.
10. NEVER point any gun, whether loaded or unloaded, at anyone or at anything you do not intend to shoot.

#### **B. EYE AND EAR PROTECTION**

Wear earplugs or earmuff-type protectors at all time whenever you shoot to guard against permanent or cumulative hearing loss that can result from repeated exposure to shooting noise. Shooting glasses will protect eyes against powder gas, carbon residue, lubricant, metal particles and other debris that are occasionally emitted from firearms under normal use. Make sure that anyone near you is also wearing eye and ear protection.

#### **C. THE SAFETY MECHANISM**

1. Your gun has an effective, well-designed safety mechanism but no safety mechanism can take the place of your own good sense and cautious gun handling. No safety mechanism can guard against horseplay, carelessness or improper

use of firearms. The safety mechanism of firearms could be rendered ineffective by breakage or malfunction due to abuse, incorrect assembly or unauthorized adjustments/modifications.

2. Never point a gun to any part of your body, or to any person or thing. If you obey this rule even an accidental discharge will not cause injury.
3. The safety mechanism should remain engaged until the gun is pointed at the target and you are ready to shoot.
4. When turning the safety on or off, point the muzzle in a safe direction and keep your finger off the trigger.
5. Be sure to move the safety fully into position or it will not be effective. Some guns have a red warning dot beside the safety lock which should be completely covered when the safety is put on.
6. Do not carry a loaded gun with without engaging the safety lock.

#### **D. CARRYING A SEMI-AUTOMATIC PISTOL**

1. Carrying a semi-automatic pistol with cartridge in the chamber greatly increases the chance of an accident. Doing so may only be justified in cases where there is clear and present danger or when the pistol may have to be fired immediately in self-defense. This practice is, however, not recommended. It is safest when carrying a loaded pistol to have the chamber empty.
2. If you **MUST** carry a semi-automatic pistol with a cartridge in the chamber, be sure the hammer is in the un-cocked position. If your pistol has a hammer-lowering lever, use it rather than the trigger to lower the hammer. Also, if your pistol has a manual safety, always leave the safety on or engaged when carrying a loaded pistol in the chamber until the gun is aimed at the target and you are ready to fire.
3. Ease the hammer down when un-cocking rather than letting it snap down as this may cause the pistol to fire accidentally.
4. Some semi-automatic pistols have a hammer with a "half-cock" notch position but this feature is **NOT** to be used as a safety. Use the manual safety. The "half-cock" notch feature only prevents unintended firing in case of internal parts breakage or if your thumb skips off the hammer during manual cocking.

## V. SAFETY INSTRUCTIONS

---

We want you to enjoy shooting your SPS pistol but we want you to enjoy it safely. You may either be an experienced shooter familiar with all the safety procedures in this instruction manual or you may be one who has never handled a gun before. Either way, we urge you to read this entire instruction manual carefully. You must follow the following safety instructions for your safety and the safety of others.

1. Always think your pistol is loaded with live rounds whenever you handle it to prevent accidental firing and injury to others.
2. Never point your pistol at anything or at anyone you do not intend to shoot.
3. Never take anyone's word that the gun is clear and unloaded with live rounds. Always check for yourself with your finger off the trigger and the gun pointed to a safe direction.
4. Always keep and carry your pistol empty with live rounds and with the hammer forward except when you intend to shoot.
5. Never place or allow the hammer to remain in the half-cock notch. This is not a safe carrying position. Any effort to engage the hammer in the half-cock notch may result in the hammer perching on the lip of the Half-cock notch. This is extremely hazardous. If the hammer is in this condition, it could fall forward and discharge the pistol, thereby risking injury, death, or damage to property.
6. Never drink alcoholic beverages or take drugs before or during shooting/target practices as your vision and/or judgment could be seriously impaired making your gun handling unsafe.
7. Always seek a doctor's advice if you are taking medication to make sure you are fit to shoot and handle your pistol safely.
8. Be sure your backstop is adequate to stop and contain bullets before

beginning target practice so that you do not hit anything outside the range shooting area.

9. Always put a trained, knowledgeable and responsible person in a charge to maintain safety controls and procedures in a shooting range or any area of practice. Obey his commands at all times so that proper shooting discipline is maintained. This will reduce, if not eliminate, the likelihood of accidents.
10. Always wear ear protection whenever you are target shooting, especially in an indoor range. The high decibels generated by the strong blast of the fired cartridges from your gun and from those near you could cause permanent hearing loss.
11. Always wear protective shooting glasses for eye protection.
12. Be sure that the barrel bore, chamber and action are clean and clear of obstructions. Clean a fouled pistol immediately so that it will function correctly and safely.
13. Use only clean, dry and high-quality manufactured which is appropriate to the caliber of the pistol. Firearms and ammunition manufacturers design their products within exacting engineering safety limits. Hand loads are sometimes outside those limits and can be unsafe.
14. Always carry your pistol empty and open while on a range until preparing to fire. Keep it pointing towards the backstop when loading, firing and unloading, to eliminate the risk of injury, death, or damage to property.
15. Always keep clear and keep others clear of the ejection port, spent cartridges are ejected with enough force to cause injury and the ejection port must be unobstructed by your hand to insure safe ejection of live rounds.

## V. SAFETY INSTRUCTIONS Cont...

---

Never place fingers on the ejection port: they could be burned by hot metal or injured by the slide moving forward.

16. Never squeeze the trigger or put your finger in the trigger guard until you are aiming at the target and ready to shoot. This will prevent you from firing the pistol when it is pointing in an unsafe direction.

17. Always be absolutely sure of your target and the area behind it before you squeeze the trigger. A bullet could travel through or past your target up to 2km... If in doubt don't shoot.

18. FAILURE TO FIRE: Always hold the pistol keeping it pointed towards the target or a safe open area and wait 30 seconds when the pistol fails to fire. If a hang fire (slow ignition) has occurred, the round will fire within 30 seconds. If the round does not fire, remove the magazine, eject the round and examine if the firing pin indent on primer is light, off center or non-existent. Have the pistol examined by a competent gunsmith. If the firing pin indent on the primer appears normal (in comparison with similar previously fired rounds), assume faulty ammunition. Segregate the misfired round from the other live ammunition and empty cases, reload and carry on firing.

19. Never use your pistol if it fails to function properly and never force a jammed action as a round may explode causing serious injury, possible death or severe damage to your pistol.

20. Never leave a pistol cocked and ready to fire as this condition is extremely dangerous. The pistol could easily be accidentally discharged which could cause injury, death or damage to property.

21. Never shoot at a hard surface such as a rock or a liquid surface such as water. A bullet may ricochet and travel in any direction to strike you or an object you cannot see which could cause injury, death and damage to property.

22. Never fire your pistol near an animal unless it is trained to accept the noise. An animal's startled reaction could injure it or cause an accident.

23. Never indulge in "horseplay" while holding your pistol as it may accidentally discharge.

24. Never walk, climb or follow a companion with your pistol cocked and ready to fire, out of its holster, or with the hammer in any position other than forward on an empty chamber to eliminate the risk of accidental discharge. When hunting, hold your pistol so that you can always control the direction of the muzzle.

25. Never leave a loaded pistol unattended. Someone, especially a child, may fire it and cause injury, death or damage to property.

26. Always make sure your pistol is not loaded before cleaning, storing, travelling and that the magazine is removed with slide latched open before laying it down or handing it to another person to avoid accidents and injury to others.

27. Always store your pistol and ammunition in separate locked receptacles out of reach and sight of children to minimize the risk of the pistol and ammunition being easily available for loading and firing.

28. Always instruct children to respect firearms. If you teach your children to shoot, teach them to treat and use the pistol properly, and supervise them closely at all times. Always stress safety so that your children will not fire the pistol when it is unsafe to do so.

**WARNING:** Do not load a cartridge or a live round into the barrel chamber of your pistol until the pistol is in your hand and you are ready to shoot. Clear the pistol with live cartridge immediately after shooting.

## VI. OPERATION

---

**TO LOAD AMMUNITION:** Depress the magazine catch which is located immediately behind the trigger. This will unlock and release the magazine from the magazine well.

Insert cartridges into the magazine so that the bullet ends are positioned over the leading edge of the magazine follower. Fill the magazine to capacity. Now take the loaded magazine and insert it back firmly into the magazine well on the frame. When magazine is pressed firmly into position you should hear a distinct "click" which indicates that it is locked in place.

**TO FIRE WITH LIVE AMMUNITION:** While the magazine is now loaded, the gun will not fire until a cartridge is fed into the barrel chamber. To do this, hold the gun with your strong hand pointing it in a safe direction with your trigger finger out of the trigger guard. With the thumb and forefinger of your weak hand, grasp the serration on the rear end of the slide, pull back the slide to the rear and immediately release it to return to its original position. As the slide returns to its original position, it will lift a cartridge from the magazine and load it into the barrel chamber.

**CAUTION:** The weapon is now loaded with a live round and can fire anytime upon squeezing the trigger.

**BE SURE TO ENGAGE THE THUMB SAFETY IF YOU DO NOT INTEND TO SHOOT.**

**LOADING AMMUNITION INTO CHAMBER:**

1. Be sure that the muzzle of the gun is pointing to a safe direction when loading.
2. Do not load or unload a gun inside a confined space such as a vehicle or a building (other than a well-constructed shooting range). In an enclosed area, there is often no completely safe direction to point the gun and if accidentally fired could cause physical injury, death or damage to property.
3. Clean all excess oil and grease from the chamber before loading and be certain that nothing obstructs the barrel. Obstructions in the barrel can cause the barrel to bulge or burst, or otherwise damage the gun and injure the shooter and bystanders.

**FIRING WITH LIVE AMMUNITION**

1. When cocking a gun, keep your finger off the trigger and point the muzzle to a safe direction.
2. Never carry a cocked and loaded gun around nor leave a cocked and loaded gun unattended. A cocked and loaded gun will fire with only slight pressure applied on the trigger. If you slip, fall or drop the gun, or someone strikes it, it could fire accidentally.
3. When firing a semi-automatic pistol, keep your fingers, hands, face and all other parts of your body away from the ejection port or any place in the path of the movement of the slide. The ejection of empty cartridges and the backward movement of the slide will not injure the shooter if the gun is held and fired in a proper position. In a normal grip, a handgun should be fired at arm's length (a rifle or shotgun from the shoulder).
4. Be sure no one is standing where they may be struck by an empty cartridge case. Ejected cases are hot and may cause burns, cuts or eye injury especially when no eye protection is worn. Be sure there is clear, safe and unobstructed path for fired cases to be ejected, and that they will not bounce off on a hard object and hit someone.
5. If your gun develops a mechanical malfunction while shooting, emits powder gas, or if a cartridge primer is punctured or a cartridge case is bulged or ruptured, or if the sound of firing is not quite right and normal, **DO NOT CONTINUE SHOOTING! STOP IMMEDIATELY AND UNLOAD THE GUN.** Take it and the ammunition to a qualified gunsmith.
6. A loaded cartridge case that is jammed in a semi-automatic gun between the slide and the barrel maybe removed as follows  
Keep the muzzle pointed to a safe direction. First, remove the magazine, pull the slide back and hold or lock it to rear. Remove the jammed case by shaking it out or by picking it out with your finger.



## VI. OPERATION Cont...

---

### UNLOADING LIVE AMMUNITION

1. Be sure the muzzle is pointed in a safe direction.
2. After removing the magazine, be sure to clear the chamber.
3. Do not assume that the gun is unloaded until you personally have looked to see.

### TRANSPORTING AND STORING YOUR GUN

1. Always keep your gun unloaded while transporting it to and from shooting activities.
2. Store guns and ammunition separately preferably under lock and key. Keep guns and ammunition out of reach of children and inexperienced or careless adults.

### SELECTING AMMUNITION

1. Use high-quality, original factory-made ammunition on your gun. Never use ammunition that is wet, dirty, bent, corroded or otherwise damaged. Never oil or lubricate ammunition or let excess aerosol lubricants, preservatives or cleaners come into contact with the cartridges. This can cause misfires or malfunctions.

Be sure your ammunition is the proper caliber for your gun. You will find the proper caliber permanently engraved on the gun. Do not use any other caliber ammunition.

2. Reloading ammunition is a science and improperly loaded ammunition can cause severe damage to your gun and serious injury to both the shooter and other persons

3. Excessive pressure inside the chamber of the barrel can cause severe damage to the gun and cause serious injury to the shooter. This can be caused by obstructions in the barrel, propellant powder overloads, or the use of incorrect, improperly assembled, dirty, corroded or damaged cartridge.

4. Stop shooting IMMEDIATELY and check the barrel for obstructions if:

- You have difficulty chambering a cartridge or feel any unusual resistance
- A cartridge misfires
- A fired cartridge case is not extracted
- You see unburned grains of powder in the mechanism
- A shot sounds abnormal or weak

These conditions may be caused by a bullet lodged part way down the barrel. Do not fire another bullet into the obstructed barrel as this may damage the gun and cause serious injury to both the shooter and bystanders.

5. Bullet lodged into the barrel can be caused by:

- The cartridge being improperly loaded without propellant powder or the powder failing to ignite. Ignition of the cartridge primer without powder charge will push the bullet out of the cartridge case but will not expel the bullet out of the gun barrel.
- A bullet that is not sealed tightly in its cartridge case. If a cartridge with a loose bullet is removed from the chamber without being fired, the bullet may remain in the barrel. Putting another bullet into the chamber can push the first bullet farther into the barrel.

6. If you suspect that a bullet is obstructing the barrel, unload the gun immediately and look through the bore. Do not merely look into the chamber as a bullet may be lodged further down where it cannot be seen easily. **IF A BULLET IS OBSTRUCTING THE BARREL, DO NOT TRY TO SHOOT IT OUT WITH ANOTHER CARTRIDGE. A BLANK CARTRIDGE OR A CARTRIDGE WITH THE BULLET REMOVED, MAY CAUSE EXCESSIVE PRESSURE AND DAMAGE THE GUN AND CAUSE SERIOUS INJURY TO THE SHOOTER AND OTHERS.** Dislodge the bullet by tapping it with a cleaning rod, then clean the barrel of any unburned powder grains from the chamber, mechanism and bore before firing again. If tapping with a cleaning rod does not dislodge the bullet, it is necessary to have a qualified gunsmith remove it.

7. Dirty, corroded, oily, damaged or deformed cartridge may not chamber completely and may burst when fired.

## VI. OPERATION Cont...

8. Wipe out oil or preservatives from the chamber before beginning to shoot. Oil interferes with the necessary friction between the cartridge case and the chamber wall. This causes stress similar to excessive pressure.

9. Do not use too much lubricant on the moving parts of your gun. Do not spray aerosol gun care lubricants which can penetrate the cartridge primers and cause the ammunition to misfire. Some lubricants can penetrate inside the cartridge cases and prevent the powder from igniting. If only the primer ignites the bullet may be lodged in the barrel.

### VII. GUN CARE and MAINTENANCE

1. When your gun is delivered, it is in factory packaging and has a light coating of protective grease and oil. Clear the gun of all packaging grease and oil from the bore and exposed mechanism and surfaces before loading.

2. Make sure your gun is unloaded before you start to disassemble it for cleaning.

3. After cleaning, lightly oil the moving parts and the surface of the gun to avoid corrosion. Make sure you have not left any cleaning patch or material that will obstruct the bore or the chamber.

### VIII. ASSEMBLY AND DISASSEMBLY

#### A. DISASSEMBLY

For Pistols with One-Piece Extended Guide Rod Recoil System:

a. Press the magazine catch with your right thumb and remove the magazine. Pull the slide back and visually inspect the chamber to check that it is clear.



b. Move the slide back until the slide stop notch of the slide is aligned with the top inside portion of the slide stop. Push the slide stop pin on the right hand side of the frame and pull the slide stop out of the frame.



c. Move the slide forward until it disengages with the frame, and turn it over to expose the barrel and the one-piece extended recoil spring guide rod.



d. Using your thumb, push the guide rod forward to compress the recoil spring. Once the small hole in the guide rod appears, insert the "L" shaped tool (spring wire 1 mm D, one end bended 90°x7mm) and slowly release the recoil spring pressure. The tool should prevent the recoil spring from fully decompressing.



## A.DISASSEMBLY Cont....

---

e. The recoil system is now locked and can be removed from the slide by pulling it towards the rear of the slide. Keep the recoil system locked for re-assembly. The barrel can then be removed by sliding it towards the front of the slide.



For Pistols with Two-Piece Extended Guide Rod/Extended Stabilizer Recoil System:

a. Press the magazine catch with your right thumb and remove the magazine. Pull the slide back and visually inspect the barrel chamber to check if it is clear of any ammunition.



b. Move the slide back and engage the slide stop on the slide. Insert a sturdy piece of wire in the small hole in the Guide Rod and turn the Guide Rod to the left until the upper portion of the guide rod is removed



c. Disengage the slide stop and move the slide back until the slide stop notch of the slide is aligned with the top inside portion of the slide stop. Push the slide stop pin on the right hand side of the frame and pull the slide stop out of the frame.



d. Slowly move the slide forward until it disengages from the frame. Take caution in removing the slide because the recoil spring is under tension and with the upper guide rod removed, may spring out violently if handled incorrectly.



e. Remove the guide rod and the recoil spring through the rear of the slide.



f. Remove the reverse plug by pulling it towards the rear of the slide. The barrel can then be removed by sliding it towards the front of the slide.



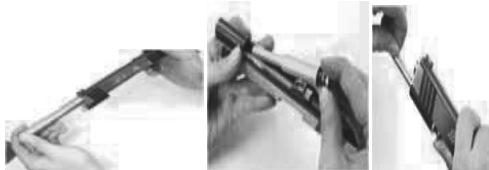
## B. ASSEMBLY

---

For Pistols with One Piece Extended Guide Rod/Extended Stabilizer Recoil System:

a. Insert the barrel inside the slide. Place recoil system on top of the barrel inside the underside of the slide. Using your thumb, push the extended recoil spring guide to compress the recoil spring until the "L" shaped tool can be removed.

Take caution once the tool is removed as the recoil spring could violently spring back into its original position.



b. Holding the slide with your left hand and restraining the recoil spring guide with your thumb, place the slide in the frame.



c. Push the slide backwards until the slide stop notch of the slide and the slide stop window on the frame is aligned. Insert the slide stop into the slide stop

pin hole on the frame by pushing with your left thumb until the slide stop is put into place in the frame. In some instances, a slight resistance from the slide stop plunger pin may be felt.



d. The pistol is fully assembled now. Make a simple check if you assembled it correctly by racking the slide back a few times.

e. The Pistol is ready for use.

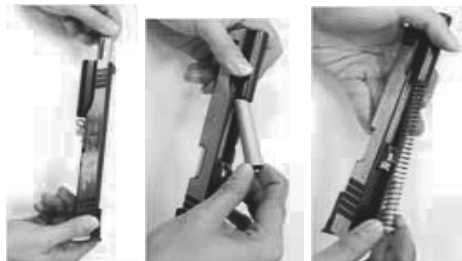


## B. ASSEMBLY Cont....

---

For Pistols with Two- Piece Extended Guide Rod/Extended Stabilizer Recoil System:

a. Insert the barrel inside the slide. Install reverse plug from the rear of the slide. Place recoil spring and recoil spring guide inside the reverse plug on top of the barrel inside the underside of the slide. Assemble the upper portion of the guide rod by turning it to the right. Holding the slide with your left hand and restraining the recoil spring guide with your thumb, place the slide in the frame.



b. Push the slide backwards until the slide stop notch of the slide and the slide stop window on the frame is aligned. Insert the slide stop into the slide stop pin hole on the frame by pushing with your left thumb until the slide stop is put into place in the frame. In some instances, a slight resistance from the slide stop plunger pin may be felt



c. The pistol is now fully assembled. Make a simple check if you assembled it correctly by racking the slide back a few times.



d. The pistol is ready for use.



## IX. MISCELLANEOUS

---

1. We cannot be responsible for damage done through accident, abuse, neglect or carelessness, or use of improper ammunition.
2. SPS assumes no responsibility for physical injury or property damage resulting from either intentional or accidental discharge.
3. We are not responsible for the cost of any repair/s or alteration/s made outside the factory by an unauthorized individual or service establishment nor for the effect of such repair/s or alteration/s.

### A. WARRANTY

We hereby guarantee this firearm for one year from the date of purchase against any defects in material and workmanship under normal use and condition.

This warranty is subject to the following conditions:

6. SPS / METRO ARMS CORPORATION SHALL NOT BE RESPONSIBLE FOR ANY INCIDENTAL OR CONSEQUENTIAL DAMAGES FOR BODILY INJURY, PROPERTY DAMAGE OR ECONOMIC LOSS UNDER THIS WARRANTY OR OTHER GROUNDS.
7. Transportation charges will be paid by the purchaser.
8. This guarantee applies only to the original purchaser.

If you require assistance in connection with the Warranty, please contact SPS DC-Custom Armeros of Magallanes, 8, 08291 Ripollet (Barcelona) Spain at [sps@spsguns.es](mailto:sps@spsguns.es)

### B. REPLACEMENT PARTS

SPS's distributors have a complete supply of replacement parts. If your gun

needs service, we recommend that you return it to our Distributors for repair. There are many qualified gunsmiths but the work of a particular gunsmith other than those in our Service Department or authorized Warranty Centers is completely beyond our control. Unauthorized adjustments or parts replacement can void the warranty on your gun.

It is your responsibility to make sure that parts ordered from our distributors are the correct type and that they fit properly and are installed by a qualified gunsmith or individual. THE USE OF IMPROPERLY FITTED PARTS OR IMPROPER PART ADJUSTMENTS MAY CAUSE DANGEROUS MALFUNCTIONS, DAMAGE THE GUN AND MAY INJURE THE SHOOTER AND OTHER PERSONS. Therefore, the purchaser and/or installer of parts must take full responsibility for the gun's functionality and correct adjustment when installing a part or making adjustments thereon.

### C. SERVICE POLICY

Your gun was carefully inspected and test-fired before shipping to insure that our specifications and standards have been met. If your gun needs adjustments, refinishing or repair, we recommend that you obtain factory service from any of our authorized Service Centers.

If you have any questions about your gun's performance, write or email our Service Department and describe all the conditions and circumstances involved. If our Service Department feels that your gun needs factory service, they will let you know and will give you shipping instructions on how to send your gun.

SPS's distributor/s will inspect your gun thoroughly and evaluate the problem or problems you mentioned in your letter. If the repair work needed

## IX. MISCELLNEOUS Cont...

---

is not covered by the warranty, we will send a quotation of the actual cost of repair, not an estimate.

You must authorize all repairs and no repairs will be made without your express approval.

### D. RETURNING GUN FOR SERVICE

1. Ship all guns prepaid. WE DO NOT ACCEPT COLLECT SHIPMENTS.
2. The address for guns returned for repair is: (Contact SPS)
3. With your gun, enclose a letter stating the serial number, caliber and barrel length of the gun, and what work is needed or what problem you experienced with it.

Be specific. Do not merely say "defective" or "repair as needed". Also, enclose copies of any previous letter dealing with the repairs. There will be a minimum labor charge for repair work not covered by warranty.

4. YOUR GUN MUST BE SHIPPED UNLOADED. Before shipping, double-check the chamber to be sure.
5. When shipping guns to us, do not include custom grips or stocks, belts, slings, holsters, telescopic sights or other accessories

### E. NO LIABILITY

PISTOLS ARE CLASSIFIED AS FIREARMS OR DANGEROUS WEAPONS, and SPS /METRO ARMS CORPORATION and their distributors sell them with the specific understanding that we are not responsible in any manner whatsoever for their safe handling or resale under local laws and regulations.

SPS/METRO ARMS CORPORATION and its Distributors are not responsible in any manner whatsoever for malfunctioning of the firearm, physical injury or property damage that results in whole or in part from: (1) intentional or negligent discharge; (2) improper or careless handling; (3) unauthorized modification; (4) defective, improper, reloaded or handloaded ammunition; (5) negligence; (6) corrosion; or (7) other circumstances or influences beyond our direct and immediate control. This limitation is applicable regardless of whether liability is asserted on the basis of negligence, contract or strict liability (including any failure to warn).

SPS/METRO ARMS CORPORATION and its distributors are not liable under any circumstances for incidental or consequential damages, such as commercial loss, loss of property and loss of profits or earnings.

SPS/METRO ARMS CORPORATION is not responsible for the internal Regulations of each Country. It is responsibility of the Buyer to comply them.

### G.WARNING

This handgun is not equipped with a device that fully blocks the use by unauthorized users. A lot of firearms like this one are stolen from their owners every year in the World. In addition, there are more than a thousand suicides each year by younger children and teenagers who get access to firearms.

Hundreds more die from accidental discharge. It is likely that many more children sustain serious wounds or inflict such wounds accidentally on others. In order to limit the chance of such misuse, it is imperative to keep this weapon locked in a secure place and take other steps necessary to limit the possibility of theft or accident.

## **IX. MISCELLNEOUS Cont...**

---

Failure to take reasonable preventive steps may result in innocent lives being lost, and in some circumstances may result in your liability for these deaths..

### **H. LEAD and OTHER TOXIC SUBSTANCES**

#### **WARNING**

Discharging firearms in poorly ventilated areas, cleaning firearms or handling ammunition may result in exposure to lead and other substances known to cause birth defects, reproductive harm and other serious physical injuries. Have adequate ventilation at all times. Wash hands thoroughly after exposure.